

SPECIFICATIONS

AMPLIFIER SECTION

Power output:	45 watts per channel,min RMS,at 8 ohms, both channels driven,from 20Hz to 20kHz, with no more than 0.08% THD.
Musical Power Output:	2 × 98 watts at 4 ohms,1kHz (DIN) 2 × 75 watts at 8 ohms,1kHz (DIN)
Continuous Power Output:	2 × 60 watts at 4 ohms,1kHz (DIN) 2 × 50 watts at 8 ohms,1kHz (DIN)
Total Harmonic Distortion:	0.08% at rated power 0.08% at 1 watt output
IM Distortion:	0.08% at rated power 0.08% at 1 watt output
Damping Factor:	35 at 8 ohms
Frequency Response:	20-30,000Hz ± 1dB
RIAA Deviation:	20-20,000Hz ± 0.8dB
Sensitivity and Impedance:	Phono: 2.5mV/50kohms CD/Tape Play: 150mV/50kohms Tape Rec: 150mV/3.5kohms (Phono)
Phono overload:	150mV RMS at 1kHz,0.08% THD
Signal-to-Noise Ratio:	Phono: 85dB(at 10mV input, A weighted) 75dB(IHF A-202) CD/Tape: 95dB(A weighted) 80dB(IHF A-202)
Tone Controls:	Bass: ± 10dB at 100Hz Treble ± 10dB at 10kHz
Loudness(-30dB):	-7dB at 70Hz, +5dB at 10kHz

TUNER SECTION

FM:

	-G/Q/W model-	-120V model-
Tuning Range:	87.50-108.00MHz(50kHz steps)	87.5-108.0MHz(100kHz steps)
Usable Sensitivity:	Mono: 12.8dBf, 1.2μV,75 ohms 1.0 μV(S/N 26dB,40kHz Devi.) 75 ohms DIN Stereo: 18.0dBf, 2.2μV,75 ohms 23μV(S/N 46dB,40kHz Devi.) 75 ohms DIN	Mono: 11.2dBf, 2.0μV Stereo: 17.2dBf, 4.0μV
50dB Quieting Sensitivity:	Mono: 18.0dBf, 2.2μV,75 ohms Stereo: 37.2dBf, 20 μV,75 ohms	Mono: 17.2dBf, 4.0μV Stereo: 37.2dBf, 40 μV
Capture Ratio:	1.5dB 1.5dB	
Image Rejection Ratio:	85dB 40dB	
IF Rejection Ratio:	90dB 90dB	
Signal-to-Noise Ratio:	Mono: 71dB Stereo: 66dB	Mono: 71dB Stereo: 66dB
Selectivity:	50dB DIN (±300kHz,40kHz Devi.)	
ACA:		55dB
AM Suppression Ratio:	50dB	50dB
Harmonic Distortion:	Mono: 0.15% Stereo: 0.30%	Mono: 0.15% Stereo: 0.30%
Frequency Response:	30-15,000Hz ±1.5dB	30-15,000Hz ±1.5dB
Stereo Separation:	45dB at 1kHz 30dB at 100-10,000Hz	45dB at 1kHz 30dB at 100-10,000Hz
Muting Level:	17.2dBf, 2μV	17.2dBf, 4μV
Stereo Threshold:	17.2dBf, 2μV	17.2dBf, 4μV

AM:

Tuning Range:	522-1,611kHz(9kHz steps)	520-1,710kHz(10kHz steps)
Usable Sensitivity:	30μV	30μV
Image Rejection Ratio:	40dB	40dB
IF Rejection Ratio:	40dB	40dB
Signal-to-Noise Ratio:	40dB	40dB
Harmonic Distortion:	0.7%	0.7%
Dimensions(W×H ×D):	435 ×112 ×343mm 17-1/8" ×4-7/16" ×13-1/2"	435 ×112 ×343mm 17-1/8" ×4-7/16" ×13-1/2"
Weight:	7.5kg.,16.5lbs.	7.5kg.,16.5lbs.

Specifications and features are subject to change without notice.

SERVICE PROCEDURES

1.Replacing the fuses

For continued protection against fire hazard,replace only with same type and same rating fuse.

D (120V) model

Circuit no.	Part no.	Description
F501,F601	252059	4A(SS-2),Speaker protection
F901	252049	4A(ST-6),Primary

G (220V) and Q (240V) models

Circuit no.	Part no.	Description
F501,F601	252076	3.15A-SE-EAK,Speaker protection
F902	252074	2A-SE-EAK,Primary
F903,F904	252078	5A-SE-EAK,Secondary
F905	252078	1A-SE-EAK,Secondary

W (Worldwide) model

Circuit no.	Part no.	Description
F501,F601	252059	4A(SS-2),Speaker protection
F901	252049	4A(ST-6),Primary
F902	252074	2A-SE-EAK,Primary

2.Replacing the lamp

This unit uses the lamp listed below.

Circuit no.	Part no.	Description
PL901	210064A	PL6.3V,250mA,Dial plate illumination

3.Safety-check out

(Only U.S.A. model)

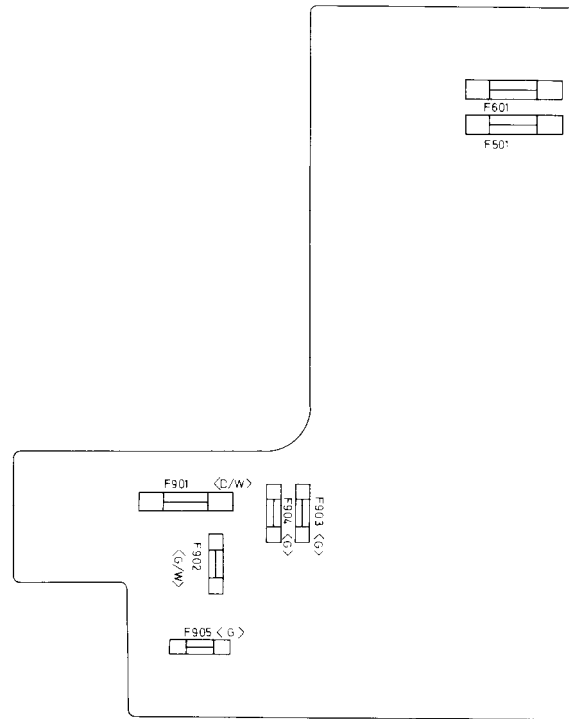
After correcting the original service problem,perform the following safety check before releasing the set to the customer.

Connect the insulating-resistance tester between the plug of power supply cord and terminal GND on the back panel.

Specifications: 3.3Mohm \pm 10% at 500V.

4.Removement of the digital pc board

- ①. Remove the five screws holding the top cover and chassis (side bracket:4, back panel:1),and remove the top cover.
- ②. Remove the five screws holding the front panel and front bracket, and remove the front panel.
- ③. Set the shift switch to 1-8 position, and remove the shift knob(A809).
- ④. Remove the four nails of holder,switch(A10) from the front bracket,and remove the holder,switch.
- ⑤. Remove the holder,dial plate(A15).
- ⑥. Set the volumes of Dynamic bass ot the minimum position.
- ⑦. Remove the stopper of headphone terminal.
- ⑧. Remove the two screws holding the front bracket and holder,and remove the holder.
- ⑨. Remove the two screws holding the front bracket and holder L.E.D. on the digital pc board.
- ⑩. Remove the digital pc board from the three bent sections of domw side of front bracket.
(Refer the exploded view of next page.)



<Fig.1>

5.Step band selector switch

Worldwide models are equipped with a step band selector switch. This switch is located on the back panel. This switch is set to 50kHz (FM) and 9kHz (AM) at the factory, but may have to be reset to 100kHz and 10kHz depending on the area where the unit is used.

	De-emphasis	FM step	AM step
Europe:	50 μ sec	50kHz	9kHz
U.S.A.:	75 μ sec	100kHz	10kHz

6.Change of voltage

Worldwide models are equipped with a voltage selector to conform with local power supplies. This switch is located on the back panel. Be sure to set this switch to match the voltage of the power supply in your area before turning the power switch on.

This swith is set to 220V at the factory. Voltage is changed by sliding the groove in the switch with the screwdriver to the right or left. Confirm that the switch has been moved all the way to the right or left before turning the power switch on.

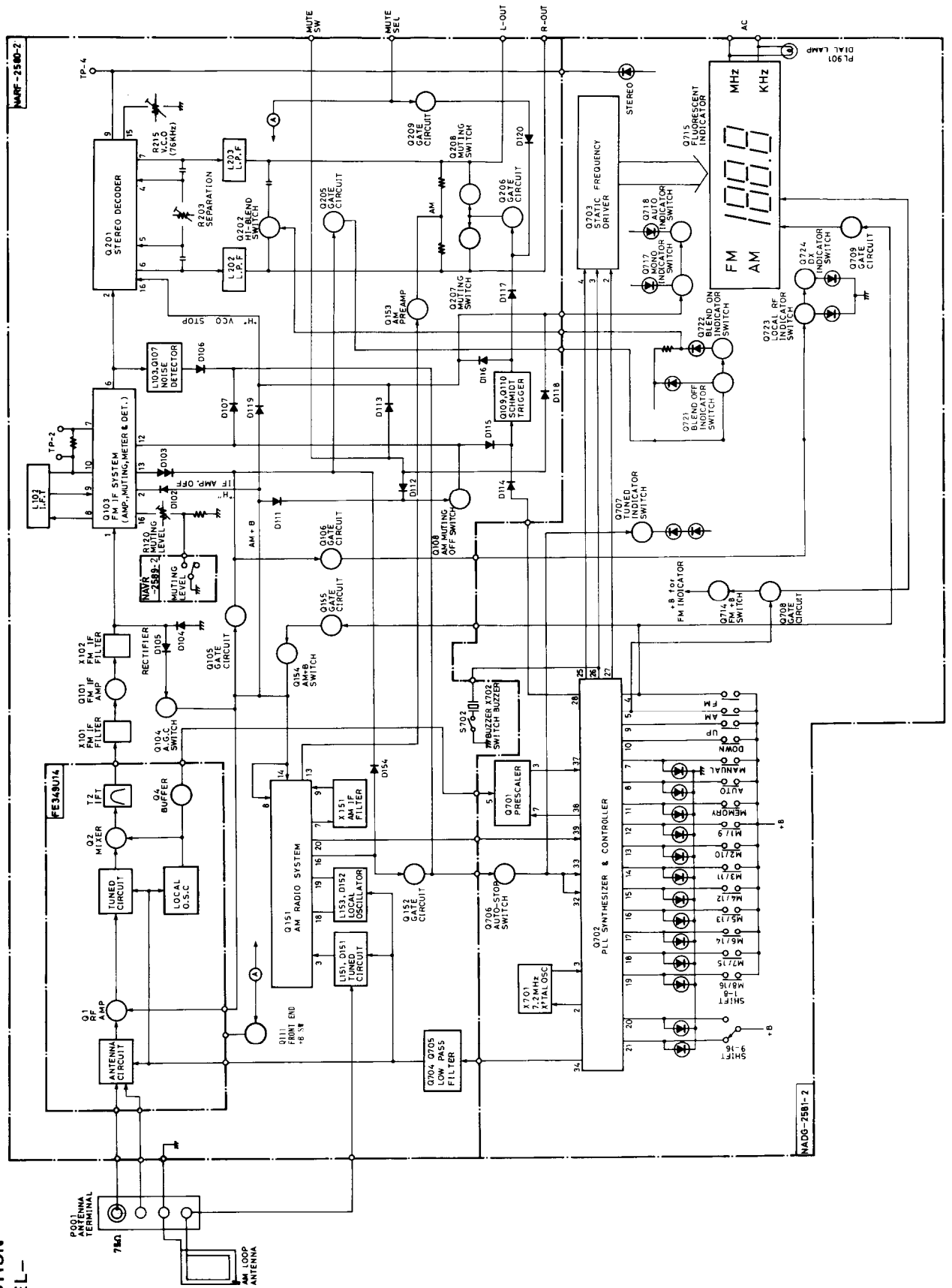
PARTS LIST

REF. NO.	PART NO.	DESCRIPTION	REF. NO.	PART NO.	DESCRIPTION
A1	27110274A	Front bracket	A801	28322454A	Knob ass'y,selector <S>
A2	27115180A	Side bracket R	A802	28322471A	Knob ass'y,selector
A3	27130388B	Bracket,power transformer	A804	28322466A	Knob,expander
A4	27130422	Bracket,center	A805	28322006	Knob,slide
A5	27141057	Bracket,C	A806	28322467A	Knob,loudness <S>
A6	27141058	Bracket,radiator	A807	28322468	Knob,loudness
A7	27160185	Radiator	A808	28322482	Knob,volume <S>
A8	27120822	Back panel <D>	A809	28322008	Knob,volume
	27120823	Back panel <G>	A810	28322021 1	Knob,balance <S>
	27120825	Back panel <W>	A811	28322009A	Knob,balance
	27120841	Back panel <Q>	A812	28321928	Knob,sterero <S>
A10	27190436A	Holder,switch	F501,601	252059	Speaker protection fuse <D/W>
A11	27190440A	Holder	F501,601	252076	3.15A-SE-EAK,Speaker protection fuse <G>
A12	28133160	Holder,plate	F901	252049	4A(ST-6),Primary fuse <D/W>
A13	28130235	Dial plate	F902	252074	2A(SE-EAK,Primary fuse <G/W/Q>
A14	27220032A	Slider	F903,904	252078	5A(SE-EAK,Secondary fuse <G/Q>
A15	27190359A	Holder,dial plate	F905	252070	1A(SE-EAK,Secondary fuse <G/Q>
A16	27260171B	Shaft	P904	25060044	Terminal,ground
A17	27273048	Joint T-1	P906	253123	AS UC-6#18,Power supply cord <D>
A18	27273049	Joint T-2		253128 or	AS CEE,Power supply cord <G/W>
A19	27273030C	Joint		253130	AS-SAA,Power supply cord <Q>
A20	28140104	12x30x8mm,Cushion	P907	25050290	NSCT-2P118T,AC outlet <D>
A21	27300750	Strainrelief	Q501,601	222054	STK4863,Power amplifier IC
A22	27267402A	Guide	Q901	222780122	78M12, Constant voltage IC
A23	27190011	Holder	S902	25065123	NPS-1258P,Voltage selector switch <W>
A24	834430068	3TTS+6B(BC),Tapping screw		82142604	2.6P+4F(BC),Pan head screw for S902 <W>
A25	831130088	3TTW+8B,Tapping screw	T901	232085	NMA-3034,AM loop antenna
A26	838440089	4TTB+8C(BC),Tapping screw	T901a	27190105	Holder,antenna
A27	834430108	3TTS+10B(BC),Tapping screw	T902	2300083	NPT-914D,Power transformer <D>
A28	834230108	3TTS+10B(Ni),Nickel screw		2300084	NPT-914G,Power transformer <G>
A29	82143006	3P+6FN(BC),Pan head screw		2300085	NPT-914DG, Power transformer <W>
A30	833430080	3TTP+8P(BC),Tapping screw		2300086	NPT-914Q,Power transformer <Q>
A31	830440089	4TTC+8C(BC),Tapping screw			
A32	834430168	3TTS+16B(BC),Tapping screw			
A33	27150218	Shielded plate			
A301	28184271A	Top cover <S>			
A302	28184272B	Top cover 			
A501	834430068	3TTS+6B(BC),Tapping screw			
A508	18628121	Front panel ass'y <S>			
A601	18638121	Front panel ass'y 			
A602	838430068	3TTB+6B(BC),Tapping screw			
A603	27170198-1	Bottom board			
A604	27175009A	Leg			
	834430068	3TTS+6B(BC),Tapping screw			
	834430128	3TTS+12B(BC),Tapping screw			

Note: <D>:Only 120V model
 <G>:Only 220V model
 <W>:Only Worldwide model
 <Q>:Only 240V model
 <S>:Only Silver model
 :Only Black model

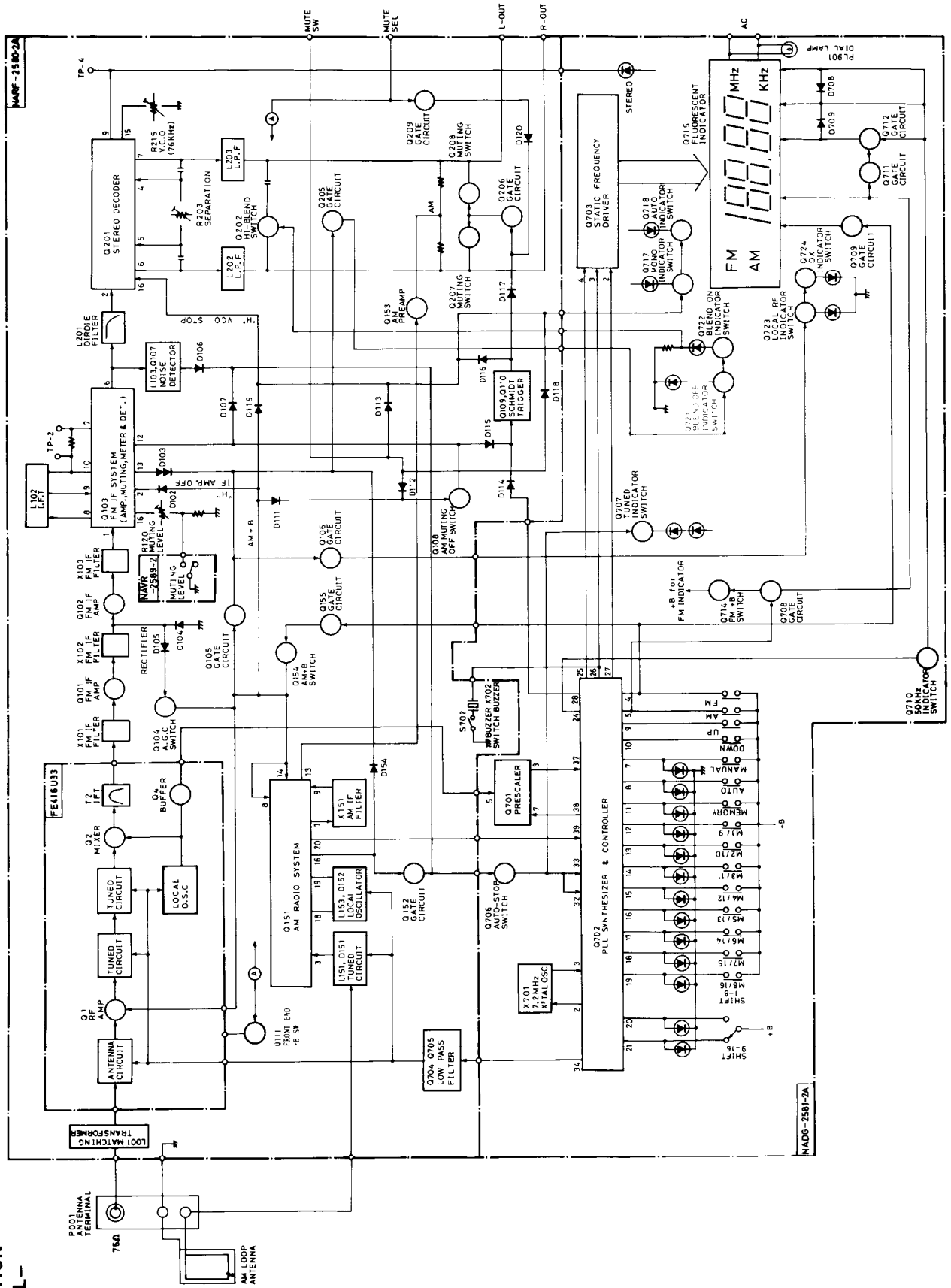
BLOCK DIAGRAM

-TUNER SECTION-
-120V MODEL-

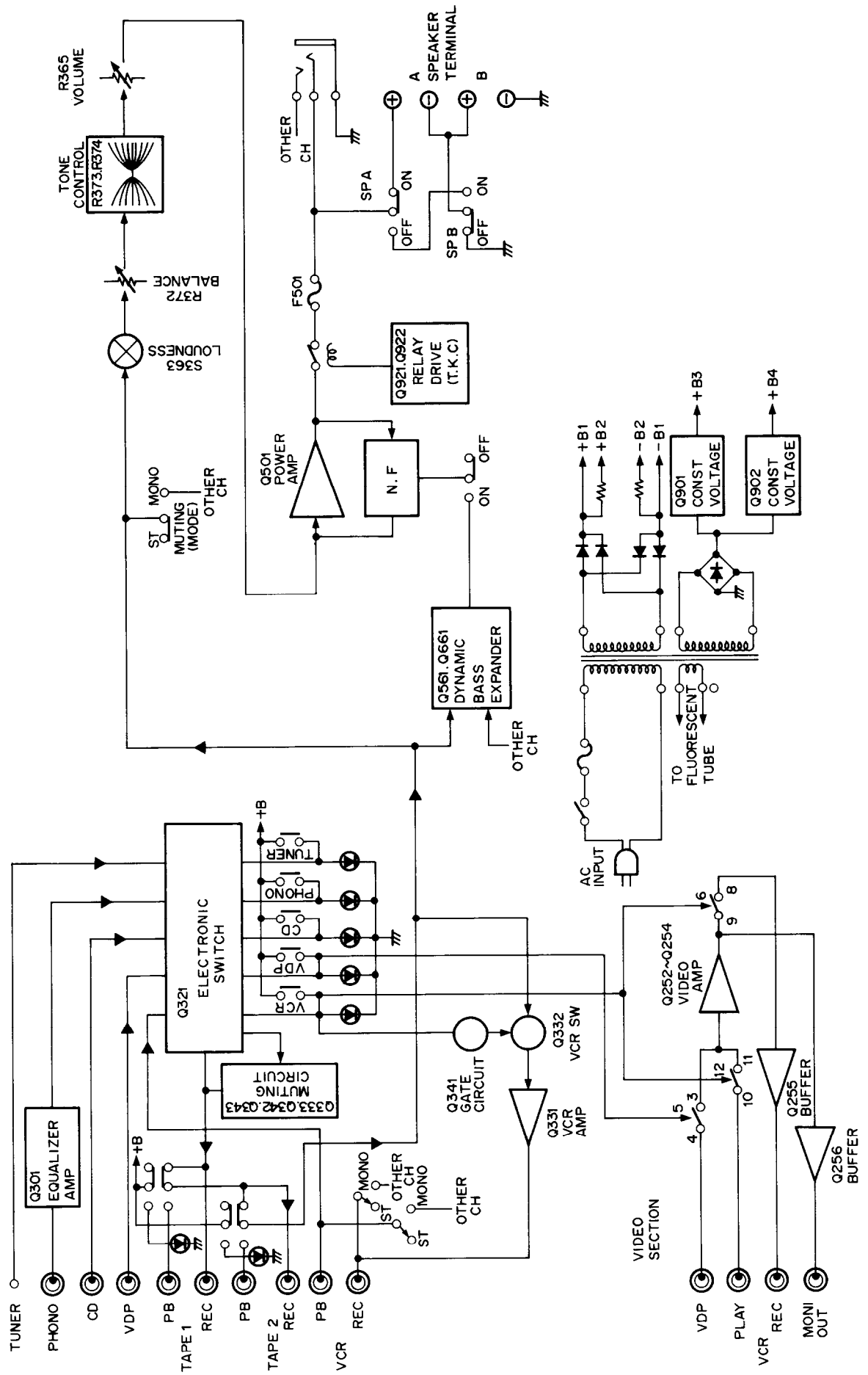


BLOCK DIAGRAM

-TUNER SECTION-
-220V MODEL-

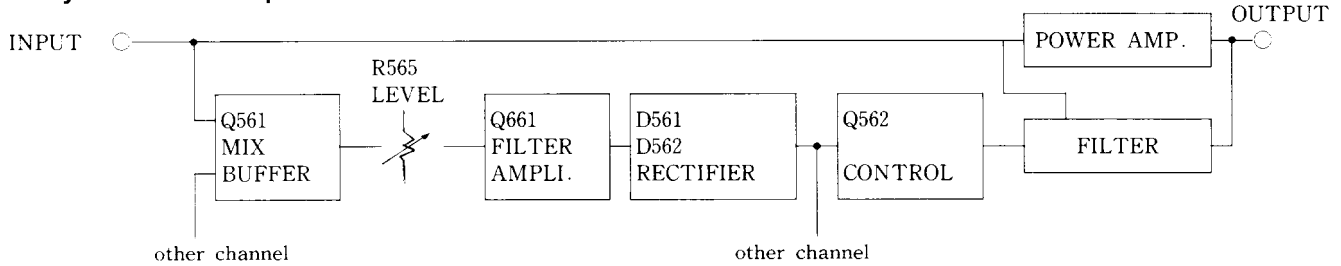


BLOCK DIAGRAM -AMPLIFIER SECTION-



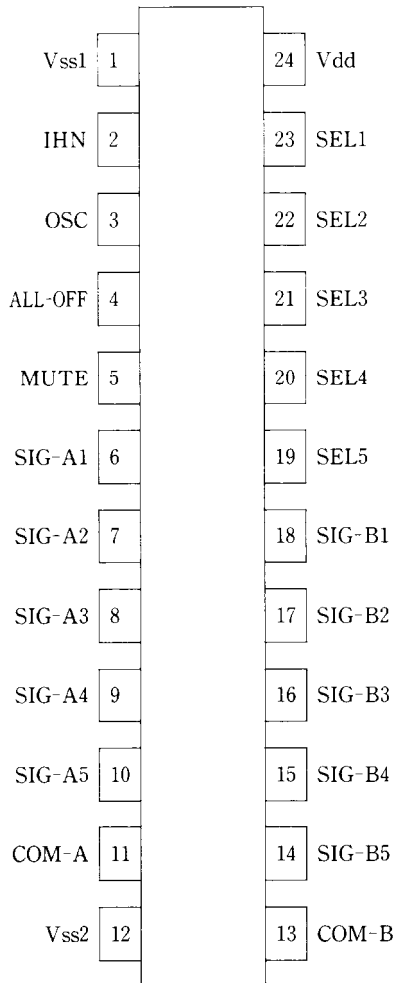
CIRCUIT DESCRIPTIONS

1. Dynamic bass expander



In earlier super base systems, only the frequencies about 70Hz were boosted by about 4dB to expand the playback frequency response to enable playback of the super low region. However, when there was no input signal, the above frequency response resulted in deterioration in the S/N ratio in the 70Hz region. This problem has been overcome by the dynamic bass expander where the 70Hz boosted level is varied according to the input signal level. That is, the frequency response remains flat when no input signal is applied, but is boosted at the 70Hz region to the specified level when the input signal exceeds a certain level. The left and right channel input signals from the INPUT terminals are mixed by Q561 and pass through the level volume and filter amplifier. The signal is rectified by D561 and D562, and the resultant DC component control signal is applied to the gate of Q562. When the input signal is at an adequate level, Q562 is turned on and the super base circuit of power amplifier is controlled by the input signal.

2. Operation of analog switch



1. Vss1 . . . Connect to the ground.
2. INH . . . Inhibit input terminal. Operates normally at the high level. Inhibit status at the low level.
3. OSC . . . CR connection terminal for the oscillator that determines the muting time and selector timing of analog switch.
4. ALL-OFF . Off designation input terminal of analog switches. All analog switches turn off at the high level.
5. MUTE . . . Muting signal output terminal.
If an "H" level input is received at this selection input terminal (SEL-1 ~SEL-5), this terminal becomes "H" level for a fixed period only. Within that period the analog switch changes.
6. SIG-A1 . . . Signal input terminal.
18. SIG-B1 . . . If SEL-1 is selected, analog switch 1 goes ON, and conductivity exists between this terminal and the COM terminal.
- 7-10. SIG-A2 ~SIG-A5 . . . Same as above.
- 17-14. SIG-B2 ~SIG-B5
11. COM-A . . . Analog switch common terminal.
13. COM-B
23. SEL-1 . . . Selector input terminals for the various analog switches.
22. SEL-2 . . . If an "H" level is set for the SEL-1 ~SEL-5 terminals, each analog switch that is selected goes ON. SEL-1, SEL-2, SEL-3, SEL-4, and SEL-5 are of the mutually reset type. If there is other than select input, they go OFF.
21. SEL-3
20. SEL-4
19. SEL-5
24. Vdd . . . Terminal of the power supply voltage.

Pin No.	Symbol	Terminal	Description
34	DO 1	Error output	Charge pump output of the phase detector which constitutes the PLL. High level is output when the divided oscillation frequency is high than the reference frequency. In the opposite case, low level is output. Floating occurs when the frequencies match. The output is applied to the variable capacitor diode in the front end through low pass filter Q704 and Q705. The output from both terminals is the same, but only DO1 is used.
35	DO 2		
36	TEST	Test terminal	Test mode at the high level.
37	FM IN	FM programmable counter input	Connect to the prescaler output (pin 3 of Q701)
38	PSC	Pulse swallow control output	Output to the control the division ratio of the prescaler.
39	AM IN	AM local oscillator signal input	Terminal for input of AM local oscillator signal.
40	$\overline{\text{INH}}$	Inhibit input	Operates normally at the high level. Inhibit status at the low level.
41	$\overline{\text{INT}}$	Initialize input	Operates normally at the high level. At the low level, the internal status is initialized.
42	Vdd	Power supply	Device power terminal: supplies 5V during the normal operation and 2.5V from the super capacitor (C712) for the memory preservation.

Table 1

E1 (Pin 30)	E2 (Pin 29)	Region	Band	Frequency range	Intermediate Frequency	Scan step	Reference Frequency
0	1	U.S.A	FM	87.5~108.0MHz	+10.7MHz	100kHz	25kHz
			AM 1	520 ~1710kHz	+450kHz	10kHz	10kHz
1	1		AM 2	522 ~1710kHz	+450kHz	9kHz	9kHz
1	0	Europe	FM	87.50 ~108.00MHz	+10.7MHz	50kHz	25kHz
			MW	522 ~1611kHz	+450kHz	9kHz	9kHz
			LW	153 ~360kHz	+450kHz	1kHz	1kHz
0	0	Japan	FM	76.0~90.0MHz	-10.7MHz	100kHz	25kHz
			AM	522 ~1611kHz	+450kHz	9kHz	9kHz

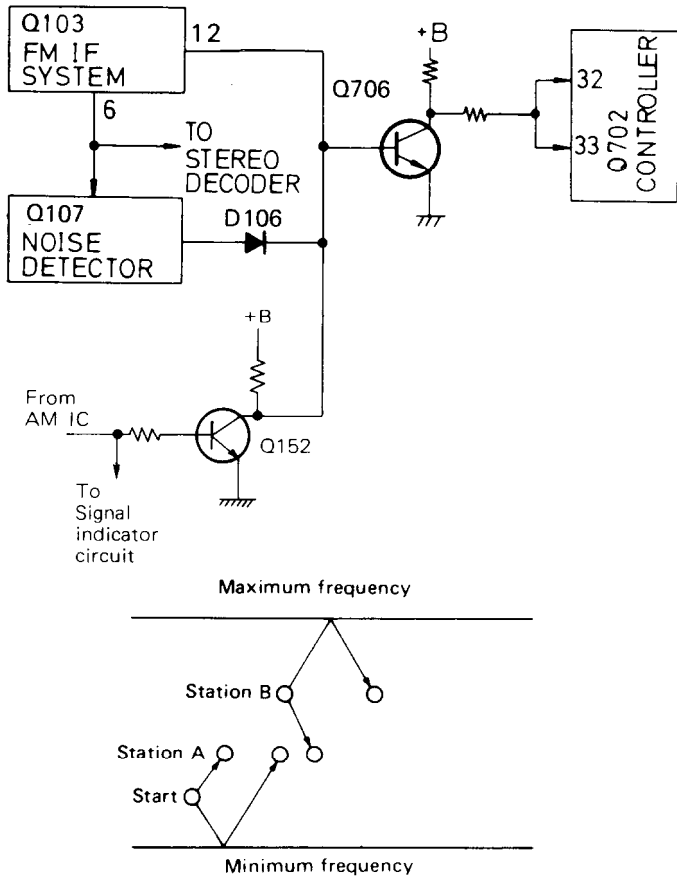
4. Auto Hi-blend and NR switching circuit

The Q103 FM IF system incorporates IC's with a built-in IF level detector with a 13 pin output. If an input above 38dB enters the antenna, Q205 is turned on, and Q721 is turned on, the Q722 and Q202 are turned off and the high-blend function is turned off.

3. Synthesizer and controller operation

Pin No.	Symbol	Terminal	Description
1	GND	Ground	
2	XT	X' tal	Connected to the 7.2MHz crystal oscillator for the reference frequency.
3	XT		
4	FM	FM band specification input	Mutual reset type, performs switching of each band, FM/MW/LW.
5	MW	MW band specification input	
6	LW	LW band specification input	
7	MANUAL	Manual tuning mode specification input	Mutual reset type, performs auto search and manual operation mode switching during UP/DOWN tuning.
8	AUTO	Auto search tuning mode specification input	
9	UP	UP tuning key input	Connect the push key and perform UP/DOWN tuning.
10	DOWN	DOWN tuning key input	
11	STO	Memory store command input	The preset memory is set to the write mode when the key is pressed.
12~19	M1~M8	Preset memory channel specification input	Controls the write and read out of the internal 16-station preset memory along with the MC1 and MC2 input.
20	MC-1	Memory control input	Set the 16-station preset memory to the 8 FM/8 AM station mode or the FM/AM 2-band 16-station random mode. The 16-station random mode is used in this unit.
21	MC-2		
22	OSC2	AM oscillator terminal	CR connection terminal for the oscillator that determines the scan speed during the AM search mode.
23	OSC1	FM oscillator terminal	CR connection terminal for the oscillator that determines the scan speed during the FM search mode.
24	0/5	FM 50kHz output	Output that represents the 50kHz FM band tuning step for European models. Goes to the high level for the 50kHz setting.
25	CK2	Tuned frequency data output	Outputs the serial data and timing clock to the tuned frequency display driver.
26	CK1		
27	DATA		
28	MUTE	Muting signal output	Goes to the high level during muting output.
29	E2	Region specification input	See table 1.
30	E1		
31	STOP 3	AM IF signal input	During AM reception, this counts the IF signal and stops auto search.
32	STOP 2	Auto search stop signal input	When the stop 1 input (pin 33) is at the high level and this terminal goes to the high level, auto search is stopped.
33	STOP 1	Scan speed slow input	When the high level is input at this terminal, the auto search speed is cut in half.

5. Auto search tuning circuit



<Fig. 8>

During FM reception, this is operated by the IF level detection and zero cross detection circuits included in the FM IF system IC of Q103 and by the noise component detection circuit of Q107. When a station is tuned, the output of all outputs go to the low level so Q706 goes from on to off, causing pins 32 and 33 of the controller IC to go to the high level to complete auto search tuning.

During AM reception, this is operated by the IF level detection included in the AM radio system IC of Q151. When a station is turned, Q152 goes from off to on and Q706 goes to off, causing pins 32 and 33 of the controller IC to go to the high level to complete auto search tuning.

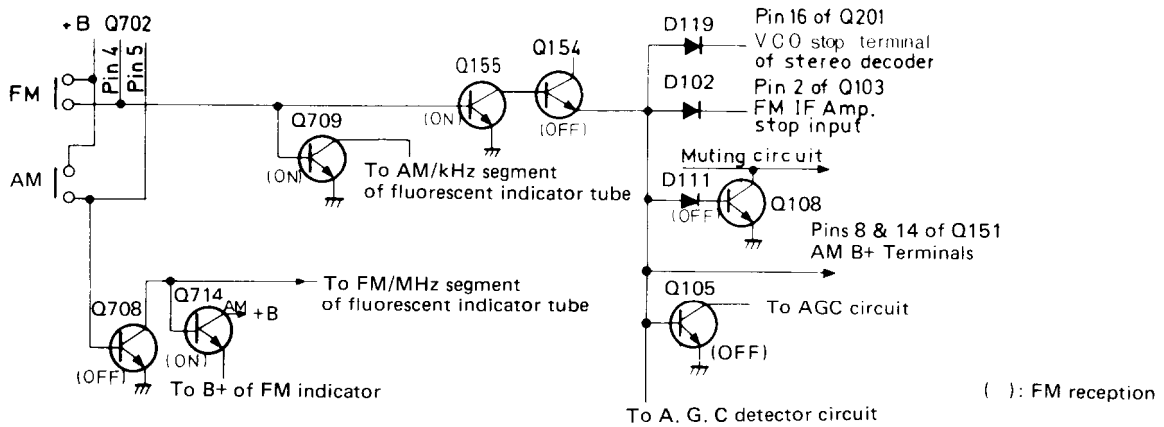
● Manual tuning

When the UP or DOWN key is pressed, the frequency goes up or down by one step. When either key is held down, the frequency rapidly increases or decreases (scans) and stops when the key is released. When either end of the tuning range is reached, key input will no longer be received and the frequency will stop at the highest or lowest frequency.

● Auto Tuning

When the UP or DOWN key is pressed, scanning begins in the up or down direction, stopping where there is a radio station. Since auto scan is operated by a triangular wave, scanning is begun in the opposite direction the instant either end of the tuning range is reached. Also, if the UP or DOWN key is pressed when the tuned frequency is not at either end of the range, up or down scanning will begin.

6. FM/AM switching circuit

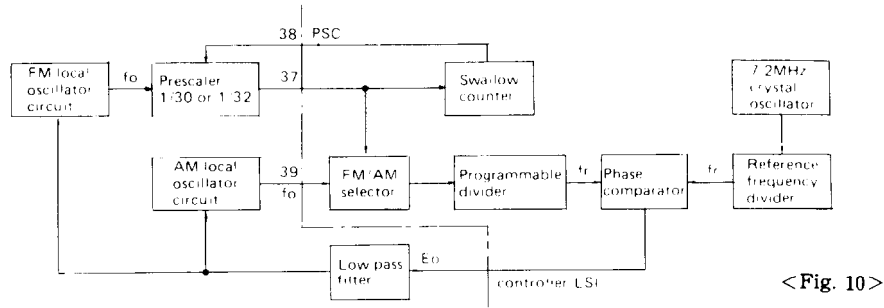


<Fig.9>

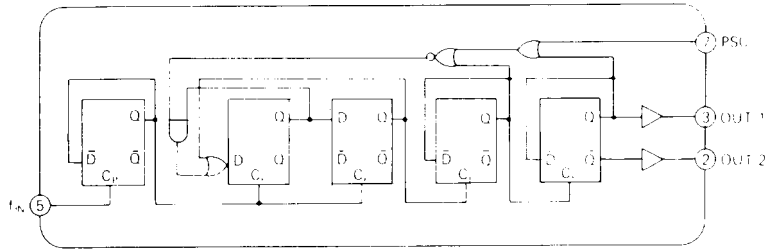
The FM/AM selector circuit is shown in the diagram fig.9. Pins 4 and 5 of Q702 are the mutual reset type. For FM, pin 4 is high and pin 5 is low; for AM, pin 4 is low and pin 5 is high. Because pin 5 is high and pin 4 is low during AM reception, Q709 is off, the AM, kHz segments of fluorescent display are turned on. Also, since Q708 goes to on and Q714 turned off, and the FM indicators are turned off. At the same time, Q155 is turned off and Q154 turned on, so +B is supplied to the power source terminal of the radio

system pins 8 & 14 of Q151. Pin 16 of Q201 goes to the high level, the VCO oscillator stops, and pin 2 of Q103 goes to the high level so that the FM IF amp is also switched off. Also, during AM reception, Q108 is turned on so the muting circuit is off. During FM reception, all of the switching transistors mentioned above perform the opposite operations to switch to the FM mode. Figures in parentheses indicate transistor operation during FM reception.

7. PLL tuned circuit



<Fig. 10>



<Fig.11> TD6104P block diagram

A block diagram of the tuned of the PLL is shown in fig. 10.

Operation during AM reception

The reception frequency is applied to the programmable divider where it is divided to 1/N and output as fv. This is applied to the phase comparator where it is compared with frequency reference fr (9kHz for G/W models and 10kHz for D model). If fr and fv differ, Eo equal to the difference in frequency is output. Since error output Eo is a pulse waveform, it is passed through the low pass filter to change it into DC voltage Vd, which is applied to the variable capacitor diode in the front end to change the reception frequency. This continues until fv and fr are the same and Eo=0.

Operation during FM reception

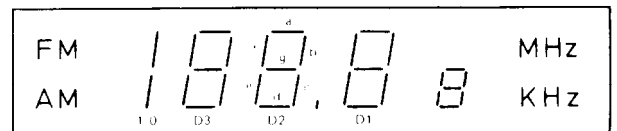
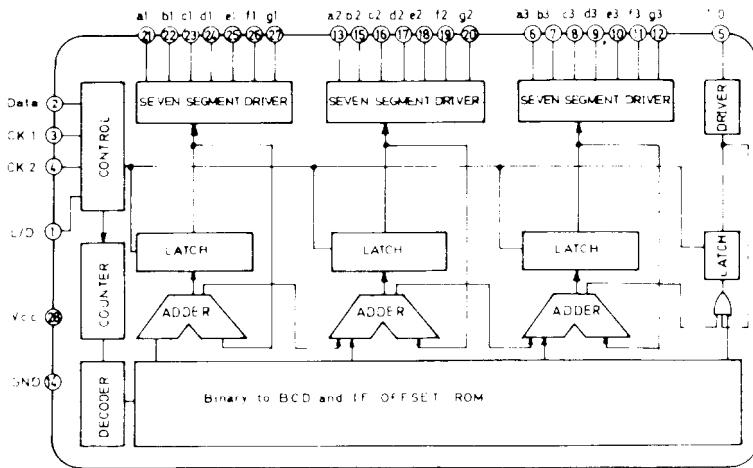
The pulse swallow method is used in the prescaler of this unit. In this type of prescaler, a supplementary number

(changed according to the program code input) and the divided reception frequency from the prescaler are combined in the control counter and the prescaler's division factor is switched 1/30 or 1/32 according to external control (1/32 when the PSC terminal is "H" and 1/30 when it is "L").

The station oscillator frequency is applied to the programmable divider, but the programmable divider has an upper frequency limit of only 30MHz, so the pulse swallow-type prescaler, which can be used up to 150MHz, is inserted for division to 1/Np.

The signal is applied to the programmable divider and divided to 1/N. The result is compared with a 25kHz frequency reference in the phase detector and error is output as Eo until a match is obtained as in AM operation.

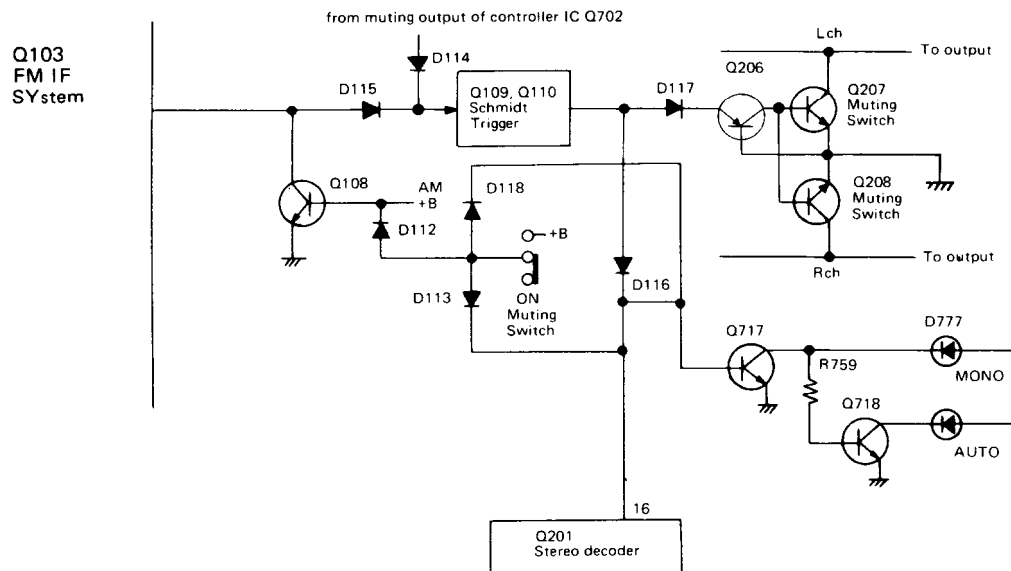
8. Frequency indicator circuit



<Fig.12> TD6301AP block diagram

Pin No.	Terminal	Description
1	L/D	Output indication switching input terminal:Fluorescent display at the low level,and LED display at the high level.
2	Data	Tuned frequency data input terminal:Input from the system controller LSI to the serial.
3,4	CK1 CK2	Tuned frequency data input control timing input terminal: Transferred simultaneously with data from the system controller LSI.
5	I/O	Segment drive output terminal:Sets the number of display digit for FM(100MHz) and AM(1000kHz) reception.
6-12	a3-g3	Seven segment drive output terminal:Sets the number of display digit for FM(10MHz) and AM(100kHz) reception.
13, 15-20	a2-g2	Seven segment drive output terminal:Sets the number of display digit for FM(1MHz) and AM(10kHz) reception.
21-27	a1-g1	Seven segment drive output terminal:Sets the number of display digit for FM(100kHz) and AM(1kHz) reception.
14	Vcc	Power source terminal
28	Gnd	Ground

9. Muting circuit



〈Fig.13〉

The muting circuit operates in the following cases.

1. While pin 28 of controller IC outputs the high level, Q207 and Q208 are turned on and muting is closed in the following cases: (1) While the manual UP/DOWN switch is being held down, (2) When a station in the memory is recalled, and (3) While a radio station is being received using auto search tuning.
2. When an FM station is not being received (and the muting switch is on).
The IF level in the FM IF system (set at R120 so muting

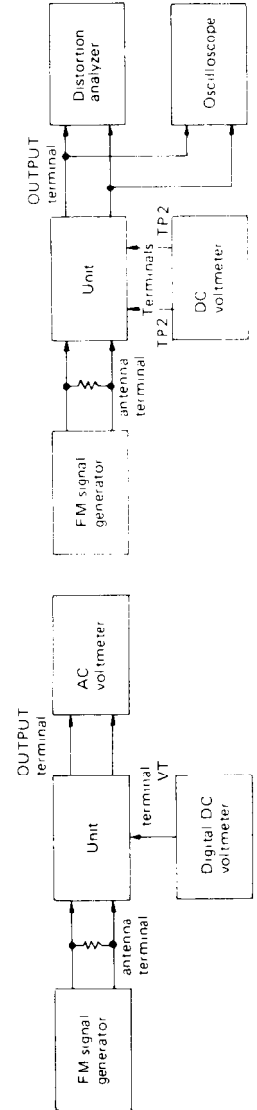
is opened at 17.2dBf) and zero-cross detection circuit (tuning point 55kHz(100kHz step): 30kHz(50kHz step)- are output at pin 12 through the AND circuit. When a station is turned, the output goes to the low level. When output goes to the low level, Q109 turned off, Q110 is turned on and Q207 and Q208 are turned off, so muting is opened. At the same time, pin 16 of stereo decoder Q201 goes to the low level, so the VCO oscillator starts.

ADJUSTMENT PROCEDURES

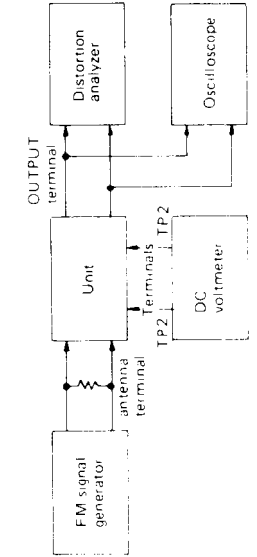
FM section

Item	Step	Connection of instrument	FM SG output	Stereo modulator output	Tuned frequency	Output indicator	Adjustment point	Adjust for	Remarks
Front end	1	Fig.1	107.9MHz 1kHz, 75kHz devi.	—	88.0MHz	Digital DC voltmeter	L7	1.4V	Usually not necessary to adjust.
	2							Maximum output	
I F	1	Fig.2	99.0MHz 1kHz, 75kHz devi. 65dBf(60dB)	—	99.0MHz	DC voltmeter	L102 Primary	0V	Set the muting switch to OFF. Repeat the steps 1 and 2 until no further adjustment is necessary.
	2							Minimum	
V C O		Fig.3	99.0MHz 1kHz, 75kHz devi. 65dBf(60dB)	—	99.0MHz	Frequency counter	R215	19kHz±10Hz	Set the muting switch to ON.
Stereo distortion		Fig.3	99.0MHz Ext. modulation 65dBf(60dB)	L+R 1kHz	99.0MHz	Distortion analyzer	T2	Minimum	
				67.5kHz devi.					
Stereo separation	1	Fig.3	99.0MHz Ext. modulation 65dBf(60dB)	Lch. 1kHz	99.0MHz	Rch. AC voltmeter	R203	Minimum	Maximum and same separation
	2			Rch. 1kHz		Lch. AC voltmeter		Minimum	
Muting level	1	Fig.2	99.0MHz 1kHz, 75kHz devi. 17.2dBf(12dB)	—	99.0MHz	Oscilloscope	R120	Signal output	Set the muting switch to ON.
	2							99.0MHz 1kHz, 75kHz devi. 16.2dBf(11dB)	

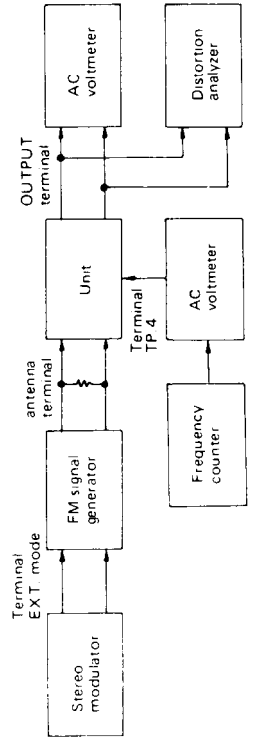
Note: (G):European model (D): Other model



<Fig.1>



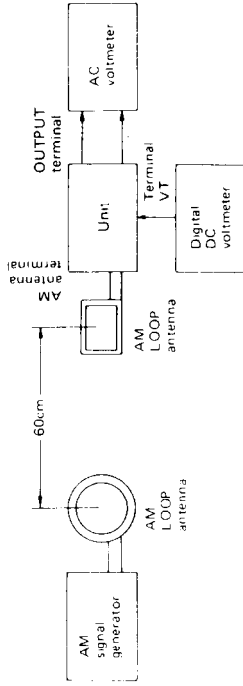
<Fig.2>



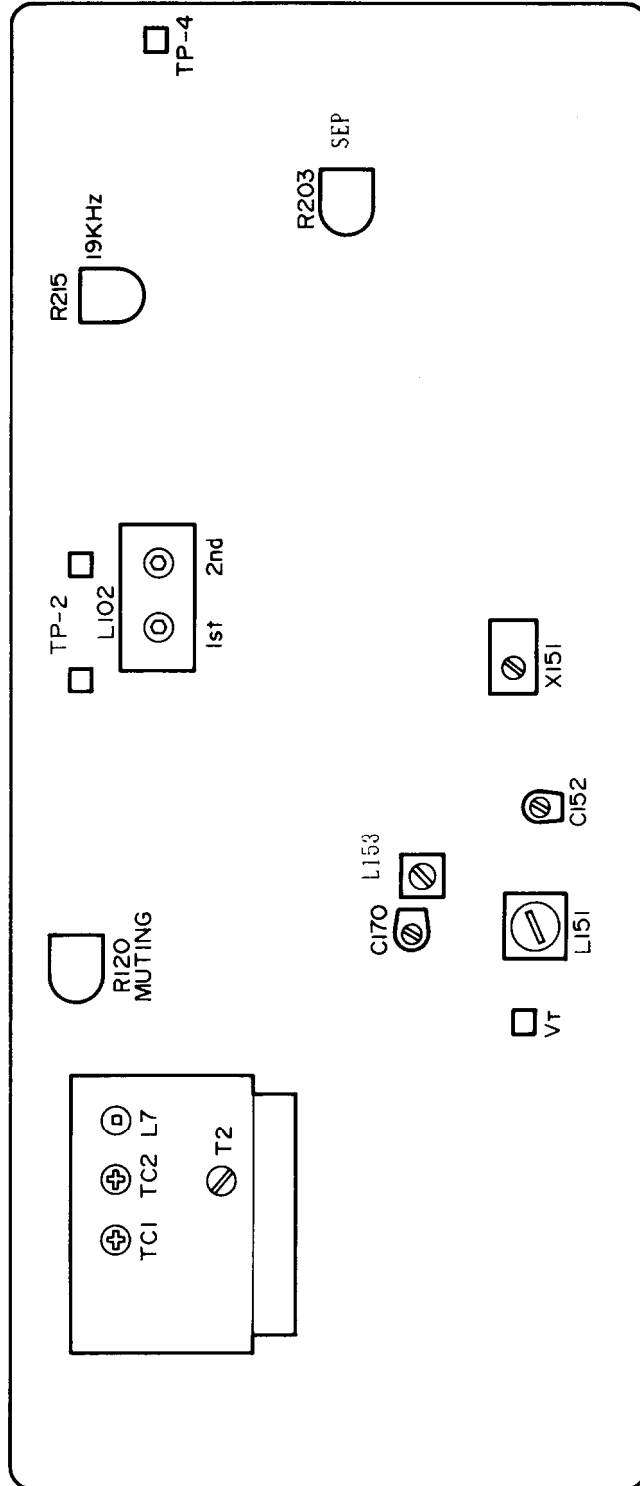
<Fig.3>

AM section

Step	AM SG output	Tuned Frequency	Output indicator	Adjustment point	Adjust for	Remarks
1	—	522kHz (520kHz)	Digital DC voltmeter	L153	1.2V ± 0.1V	Repeat the steps 1 and 2 until no further adjustment is necessary.
2	—	1611kHz (1710kHz)	Digital DC voltmeter	C170	9.0V ± 0.1V (10.5V ± 0.1V)	
3	603kHz, 60dB/m (600kHz) 400Hz 30% mod.	603kHz (600kHz)	A C voltmeter	L151	Maximum	Repeat the steps 3 and 4 until no further adjustment is necessary.
4	1404kHz, 60dB/m (1400kHz) 400Hz 30% mod.	1404kHz (1400kHz)	A C voltmeter	C152	Maximum	
5	999kHz, 30dB/m (1000kHz) 400Hz 30% mod.	999kHz (1000kHz)	A C voltmeter	X151	Maximum	



Note: () :120V model <10kHz step>



<Fig.14> Adjustment point

PRINTED CIRCUIT BOARD VIEW FROM BOTTOM SIDE

TUNER PC BOARD

PRINTED CIRCUIT BOARD-PARTS LIST

TUNER PC BOARD(NARF-2580-2/2A/2B)

CIRCUIT NO.	PART NO.	DESCRIPTION	CIRCUIT NO.	PART NO.	DESCRIPTION
	Front end			Diodes	
TU001	240061	FE349U14 <D/W>	D101	2243192 or	MTZ-8.2B or
TU001	240059	FE416U33 <G>		2239552	RD8.2EB2 <G>
	ICs		D102,D106	223155	1SS138
Q103	222540	HA11225	D103	4000068	VD1222
Q151	222701	LA1245	D104,D105	223132	1K60 <D/W>
Q201	222678	μ PC1161C3	D108	2243132 or	MTZ4.7B or
	Transistors			2239432	RD4.7EB2
Q101	2211722 or	2SC1923(R) or	D109-D120	223155	1SS138
	2211723	2SC1923(O)	D151,D152	223157	KV1236Z
Q102	2211255 or	2SC1815(GR) or		Coils	
	2211256	2SC1815(BL) <G>	L001	233312	NFA3051 <G>
Q104,Q105	2211255,	2SC1815(GR),	L101	233105 or	NCCH-1005 or
Q107-Q110	2210746 or	2SC945A(P) or		233024	NCCH-1501
Q152,Q154	2212485	JC501(Q)	L103	233031	NMC-9-1
Q155			L151	232113	NMA-3049
Q111,Q209	2211254,	2SC1815(Y),	L153	232110	NMO-4027
	2211255,	2SC1815(GR),	L201	233236	NMC-6027 <G>
	2210746 or	2SC945A(P) or	L202,L203	233291	NMC-5039
	2212485	JC501(Q)		Transformer	
Q153,Q106	2211256	2SC1815(BL)	L102	233274	NFIF-6041
Q202	2211945 or	2SK246(GR) or		Ceramic filters	
	2212304	2SK381(D)	X101,X102	3010071	SFE10.7MA5 <D/W>
Q205	2211256	2SC1815(BL)	X101	3010046	SFE-10.7MS2GY <G>
Q206	2211455 or	2SA1015(GR) or	X102,X103	3010043	SFE-10.7MM <G>
	2212495	JA101(Q)	X151	3010075	SFL-450B3
Q207,Q208	2212794,	2SD1468(R),	X152	3010076	BFU-450C
	2211705 or	2SD655(E) or			
	2211706	2SD655(F)			
Q704	2212294 or	2SK108(D) or			
	2211293	2SK68(M)			
Q705	2211255	2SC1815(GR)			

ADJUSTMENT PROCEDURES

CIRCUIT NO.	PART NO.	DESCRIPTION
	Resistors	
R120	5215045	N08HR10KBC,Semi-fixed
R203	5215048	N08HR200KBC,Semi-fixed
R215	5215044	N08HR5KBC,Semi-fixed
	Socket	
	25050267	NSCT-3P95
	Terminal	
P001	25060085	NTM-4PDMN29,Antenna <D/W>
P001	25060087	NTM-2PDMN31,Antenna <G>
	Bracket	
	27141059	Ground

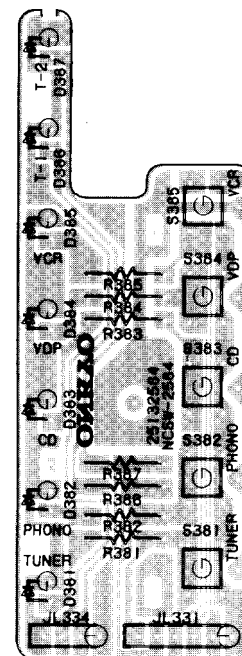
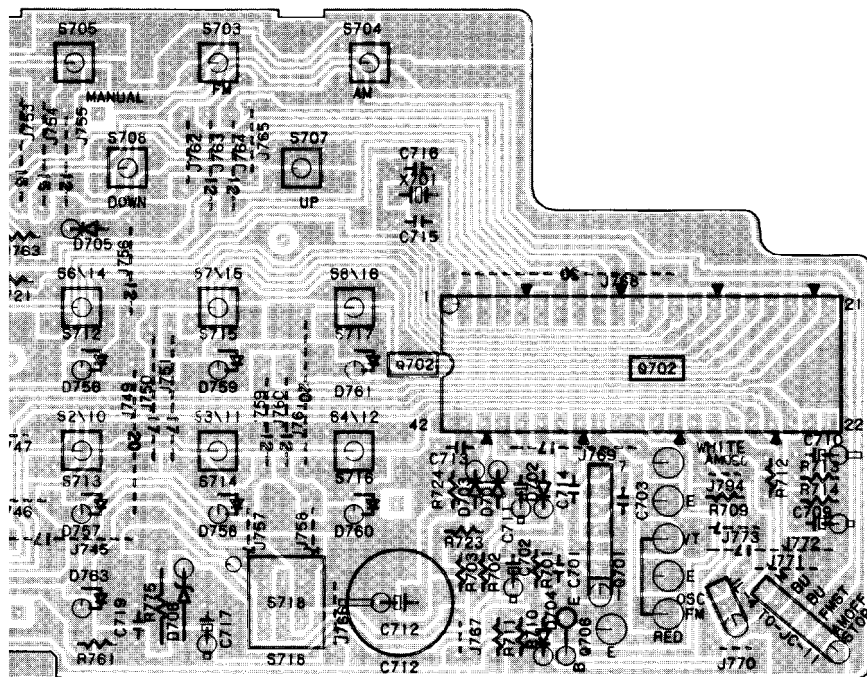
VIDEO CIRCUIT PC BOARD

CIRCUIT NO.	PART NO.	DESCRIPTION
	Capacitors	
C101	352780339	3.3 μ F,50V,Elect.
C107,C110	352780109	1 μ F,50V,Elect.
C111	352741009	10 μ F,16V,Elect.
C117	352784799	0.47 μ F,50V,Elect.
C118	352742209	22 μ F,16V,Elect.
C120	352741009	10 μ F,16V,Elect.
C123	352784799	0.47 μ F,50V,Elect.
C125	352780229	2.2 μ F,50V,Elect.
C126	352780109	1 μ F,50V,Elect.
C128,C129	352741009	10 μ F,16V,Elect.
C152,C170	3060010	NTC-20P09,Trimmer
C158	352741009	10 μ F,16V,Elect.
C161	352744709	47 μ F,16V,Elect.
C162	352780109	1 μ F,50V,Elect.
C165,C166	352750479	4.7 μ F,25V,Elect.
C168	370135114	510pF \pm 5%,100V,APS
C174	352781099	0.1 μ F,50V,Elect.
C175	352721019	100 μ F,6.3 V,Elect.
C176	352780339	3.3 μ F,50V,Elect.
C201	352744719	470 μ F,16V,Elect.
C203	352750479	4.7 μ F,25V,Elect.
C207,C208	370135614	560pF \pm 5%,100V,APS <W>
C209,C210	352741009	10 μ F,16V,Elect.
C212	352782299	0.22 μ F,50V,Elect.
C213	352780109	1 μ F,50V,Elect.
C214	352780339	3.3 μ F,50V,Elect.
C215	370134714	470pF \pm 5%,100V,APS
C220,C221	352780229	2.2 μ F,50V,Elect.
C705	395160107	1 μ F,35V,Tantalum

VIDEO CIRCUIT PC BOARD(NAVD-2583-1)

CIRCUIT NO.	PART NO.	DESCRIPTION
	IC	
Q251	22257502 or 222840661	TC4066BP or 4066B
	Transistors	
Q252	2211455 or 2212495	2SA1015(GR) or JA101(Q)
Q253-Q256	2211254, 2211255, 2210746 or 2212485	2SC1815(Y), 2SC1815(GR), 2SC945A(P) or JC501(Q)
	Capacitors	
C251,C253	352741009	10 μ F,16V,Elect.
C252,C254	352734719	470 μ F,10V,Elect.
C255,C256	352741009	10 μ F,16V,Elect.
	Terminal	
P251	25045192	NPJ-4PDBL76

Note: <D>:Only 120V model
<G>:Only 220V/240V models
<W>:Only Worldwide model



SELECTOR SWITCH PC BOARD

CIRCUIT NO.	PART NO.	DESCRIPTION
Capacitors		
C565	352784799	0.47 μ F,50V,Elect.
C567,C667	353744709	47 μ F,16V,Elect.
C566,C666	352982296	0.22 μ F,50V,Non-polar elect.
C702	352744709	47 μ F,16V,Elect.
C708	352742209	22 μ F,16V,Elect.
C709	352780109	1 μ F,50V,Elect.
C710	352780229	2.2 μ F,50V,Elect.
C711	352784799	0.47 μ F,50V,Elect.
C712	3020027 or 3020018	0.047F,5V,Super
C717	353744709	47 μ F,16V,Elect.
C718	352721019	100 μ F,6.3V,Elect.
C720	352750479	4.7 μ F,25V,Elect.
C724	352742209	22 μ F,16V,Elect.
Resistors		
R565	6142044	N30LL100KA15Z,Slide,variable
R729-R737	49121333409	33K \times 9,1/8W,Network
R738-R750	49121333413	33K \times 13,1/8W,Network
R775	442529104	91 Ω ,1/2W,Metal oxide film

CIRCUIT NO.	PART NO.	DESCRIPTION
Switches		
S552	25035515	NPS-142-L477,Push
S703-S717	25035389	NPS-111-S353,Push
S718	25035514	NPS-122-L476,Push
Lamp		
PL901	210064A	PL6.3V,0.25A
Holders		
	27190438A	LED
	27190437A	LED 10
Cushion		
	28140593	10 \times 40 \times 3.5
Screws		
	833426060	2.6TTP+6P(BC),Tapping

SELECTOR SWITCH PC BOARD(NASW-2584-1)

CIRCUIT NO.	PART NO.	DESCRIPTION
L.E.Ds		
D381-D385	225137CG,	SEL2413ECG,
	225137DG or	SEL2413EDG or
	225137DY	SEL2413EDY
D386,D387	225142	SEL2913K
Switches		
S381-S385	25035291 or 25035389	NPS-111-S257 or NPS-111-S353, Push
Holder		
	27190439	

Note: <D>:Only 120V model
 <G>:Only 220V/240V models
 <W>:Only Worldwide model

PRINTED CIRCUIT BOARD-PARTS LIST

TONE CONTROL PC BOARD(NATC-2588-1)

CIRCUIT NO.	PART NO.	DESCRIPTION
R371,R471	5146049	N16RLC250KWT30,Variable resistor,Balance
R372,R472	5148073	N16RQMC110K180K30,Variable resistor,Bass
R374,R474	5148102	N16RGM219K30,Variable resistor, Treble

EQUALIZER AMPLIFIER PC BOARD(NAEQ-2582-2/2A)

CIRCUIT NO.	PART NO.	DESCRIPTION
ICs		
Q301,Q401	222671 or 222534	NJM4559DD or NJM4559DX
Q321,Q421	222954	TC9152P
Q331,Q431	222811 or 222502	NJM4558DD or NJM4558DX

Transistors		
Q332,Q432	2211945	2SK246(GR)
Q333,Q433	2212286 or 2212285	2SC2878(B) or 2SC2878(A)
Q341,Q342	2211455 or 2212495	2SA1015(GR) or JA101(Q)
Q343	2211255, 2210746 or 2212485	2SC1815(GR), 2SC945A(P) or JC501(Q)

Diodes		
D321,D322	223155	1SS138
D331,D340	223155	1SS138
D431	223155	1SS138

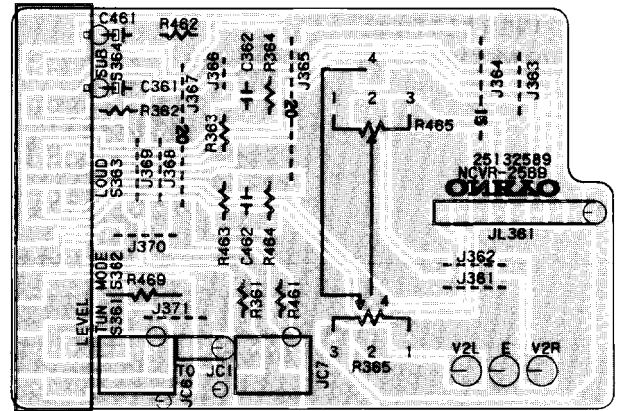
Capacitors		
C302,C402	352780229	2.2 μ F,50V,Elect.
C305,C405	352721019	100 μ F,6.3V,Elect.
C308,C408	352780229	2.2 μ F,50V,Elect.
C309,C310	352743319	330 μ F,16V,Elect.
C322,C323	352780339	3.3 μ F,50V,Elect.
C325	352780159	1.5 μ F, 50V,Elect.
C331,C332	352780229	2.2 μ F,50V,Elect.
C333,C433	352781099	0.1 μ F,50V,Elect.
C334,C335	352780339	3.3 μ F,50V,Elect.
C341	352780339	3.3 μ F,50V,Elect.
C342	352782299	0.22 μ F,50V,Elect.
C431,C432	352780229	2.2 μ F,50V,Elect.

Terminals		
P301,P302	25045171	NPJ-4PDBL65 <D/W>
P301,P302	25045165	NPJ-4PDBL59 <G>
P303	25045191	NPJ-6PDBL75 <D/W>
P303	25045166	NPJ-6PDBL60 <G>
P304	25045171	NPJ-4PDBL65 <D/W>
P304	25045165	NPJ-4PDBL59 <G>

Switches		
S321,S322	25035518	NPS-242-L480
S323	25065242	NSS-22104

Socket		
	25050267	NSCT-3P95

NOTE: <D>:Only 120V model
<G>:Only 220V/240V models
<W>:Only Worldwide model



VOLUME CONTROL PC BOARD

VOLUME CONTROL PC BOARD(NAVR-2589-2)

CIRCUIT NO.	PART NO.	DESCRIPTION
R365,R465	5104180	N16RGH100KBT30,Variable resistor Volume
S362,S363	25035516	NPS-422-L478,Push switches
	25050280	NSCT-3P108,Sockets

HEADPHONE TERMINAL PC BOARD(NAHP-2590-1/1A)

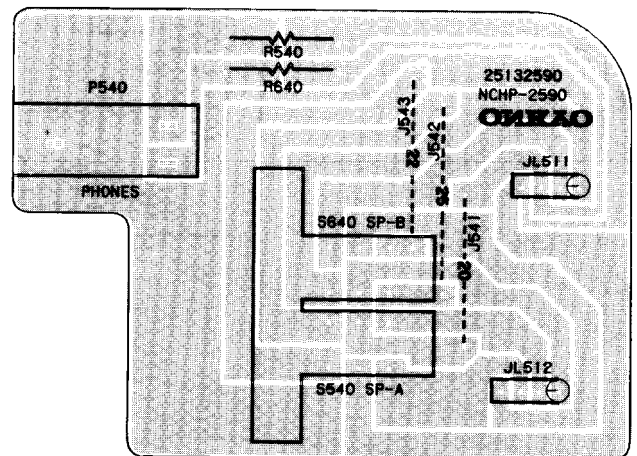
CIRCUIT NO.	PART NO.	DESCRIPTION
R540,R640	441523914	390 Ω ,1/2W,Metal oxide film resistors
S540,S640	25035517	NPS-222-L479,Push switches
P540	25045184	HLJ0520-01-010,Headphone terminal <G/W>
	25045193	HLJ0521-01-010,Headphone terminal <D>

BAND SELECTOR SWITCH PC BOARD(NASW-2585-1)

(Only Worldwide model)

CIRCUIT NO.	PART NO.	DESCRIPTION
S701	25065240	NSS-42102,Slide switch

HEADPHONE TERMINAL PC BOARD



PRINTED CIRCUIT BOARD— PARTS LIST

POWER AMPLIFIER AND POWER SUPPLY CIRCUIT PC BOARD(NAMA-2587-2/2A/2B)

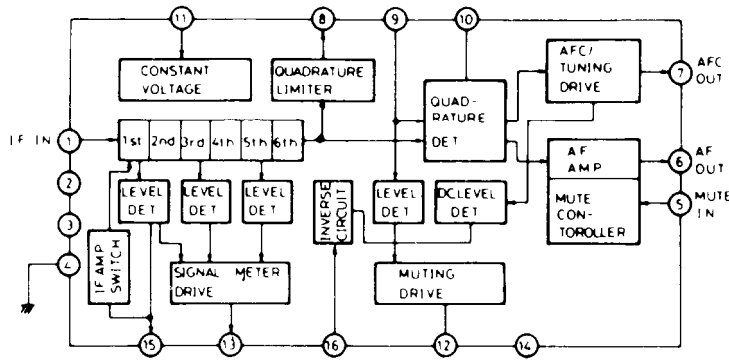
CIRCUIT NO.	PART NO.	DESCRIPTION
	ICs	
Q501,Q601	222054	STK-4863
Q901	222780122	78M12
	Transistors	
Q902	2211255	2SC1815(GR)
Q921,Q922	2211255	2SC1815(GR)
	Diodes	
D901-D904	22380003 or 223897	1N5402F or P-300DL
D907,D908	2243252 or 2239672	MTZ15B or RD15EB2
D909	223890 or 223862	W01RL or WL01
D910	223896 or 223880	1N4003F or GP101N4003
D911	223155	1SS138
D912	2239733 or 2243283	RD20EB3 or MTZ20C
D921-D923	223155	1SS138
	Coils	
L501,L601	231001	S-1.3B <G>

CIRCUIT NO.	PART NO.	DESCRIPTION
	Capacitors	
C501,C601	352750479	4.7 μ F,25V,Elect.
C504,C604	3500080	100 μ F,10V,Elect.<D/W>
	352731019	100 μ F,10V,Elect.<G>
C507-C510	352780109	1 μ F,50V,Elect.
C607-C610	352780159	1 μ F,50V,Elect.
C511,C611	3500081	47 μ F,63V,Elect.<D/W>
C511,C611	352784709	47 μ F,50V,Elect.<G>
C513,C514	352781019	100 μ F,50V,Elect.
C515,C615	352781009	10 μ F,50V,Elect.
C517	352781009	10 μ F,50V,Elect.
C901	3500065A	Δ DE7150FZ103PAC400V/125V,IS
C905,C906	3504152	6,800 μ F,50V,Elect.
C907,C908	352761019	100 μ F,35V,Elect.
C909,C910	352742219	220 μ F,16V,Elect.
C912	352761019	100 μ F,35V,Elect.
C913	352752229	2,200 μ F,25V,Elect.
C914	352751019	100 μ F,25V,Elect.
C916	352741009	10 μ F,16V,Elect.
C917	352780109	1 μ F,50V,Elect.
C921	352753309	33 μ F,25V,Elect.
C922	352780339	3.3 μ F,50V,Elect.
	Resistors	
R507,R607	441521024	1k Ω ,1/2W,Metal oxide film
R508,R608	441523324	3.3k Ω ,1/2W,Metal oxide film
R510,R610	441522424	2.4k Ω ,1/2W,Metal oxide film
R511,R611	441520474	4.7 Ω ,1/2W,Metal oxide film
R512,R612	441520474	4.7 Ω ,1/2W,Metal oxide film <G>
R513	441525614	560 Ω ,1/2W,Metal oxide film
R514	441521014	100 Ω ,1/2W,Metal oxide film
R901	431523355	Δ 3.3M Ω ,1/2W,Solid <D>
R904,R906	441623014	300 Ω ,1W,Metal oxide film
R905,R907	441624714	470 Ω ,1W,Metal oxide film
R908	441621024	1k Ω ,1W,Metal oxide film
R909	441620624	6.2 Ω ,1W,Metal oxide film
R910	441624714	470 Ω ,1W,Metal oxide film
R912	441521014	100 Ω ,1/2W,Metal oxide film
R924	441522704	27 Ω ,1/2W,Metal oxide film
R990	441520104	1 Ω ,1/2W,Metal oxide film <D>
	Terminal	
P501	25060093	NTM-8P-DML34,Speaker <D/W>
P501	25060094	NTM-8P-DML35,Speaker <G>
	Switch	
S901	25035398	Δ NPS-111-L362P,Power
	Relay	
RL921	25065134	NRL-2P5A-DC24-07
	Fuseholders	
	250113	Δ SN5051 <D/W>
	25050065	Δ YSH403T <G/W>
	Fuses	
F501,F601	252059	Δ 4A(SS-2) <D/W>
F501,F601	252076	Δ 3.15A-SE-EAK <G>
F901	252049	Δ 4A(ST-6) <D/W>
F902	252074	Δ 2A-SE-EAK <G/W>
F903,F904	252078	Δ 5A-SE-EAK <G>
F905	252070	Δ 1A-SE-EAK <G>
	Sockets	
	25050267	NSCT-3P-95
	25050272	NSCT-8P-100
	Label	
	29360626-1	Fuse <D>
	29360472	T3.15A/250V <G>
	Bracket	
	27141059	Ground <D>

BLOCK DIAGRAM OF IC

HA-11225(FM IF system)

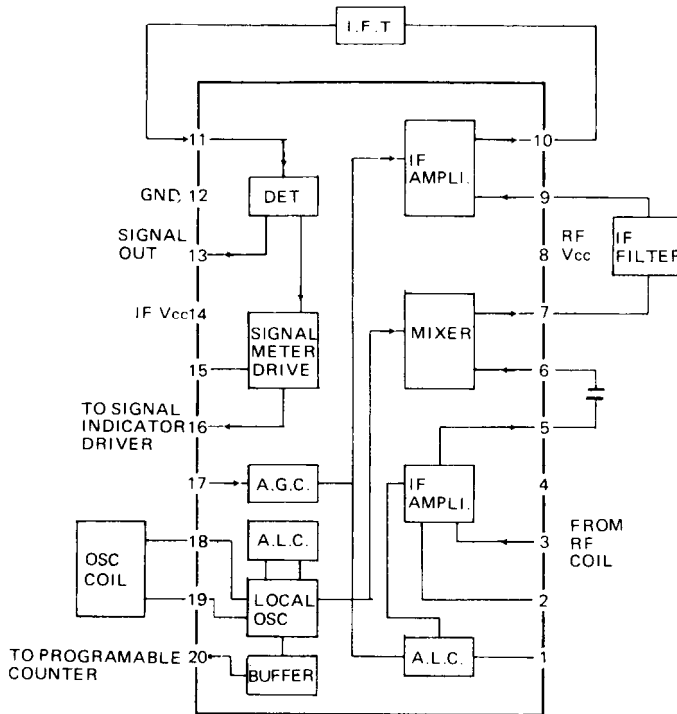
A



1. IF signal input
2. IF amplifier switch
3. Off at high level
4. Muting switch input
5. Composite signal
6. AFC output
7. IF signal output
8. 7MHz signal
9. Reference voltage
10. Power supply
11. Muting output
12. Tuned-L level
13. Signal strength
14. AGC output
15. Muting level set

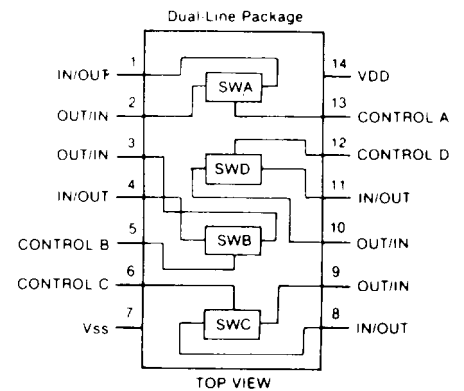
B

LA-1245(AM radio system)



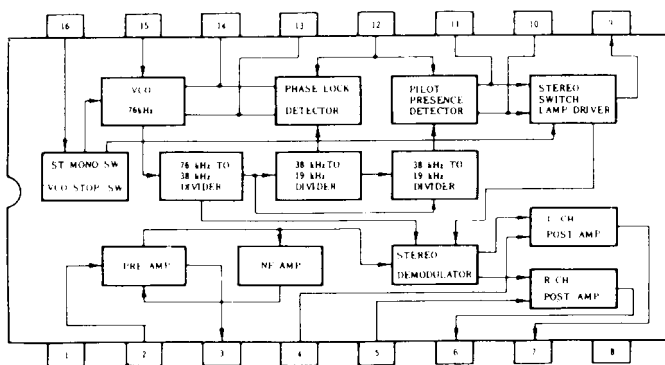
C

4066B(Analog switch)



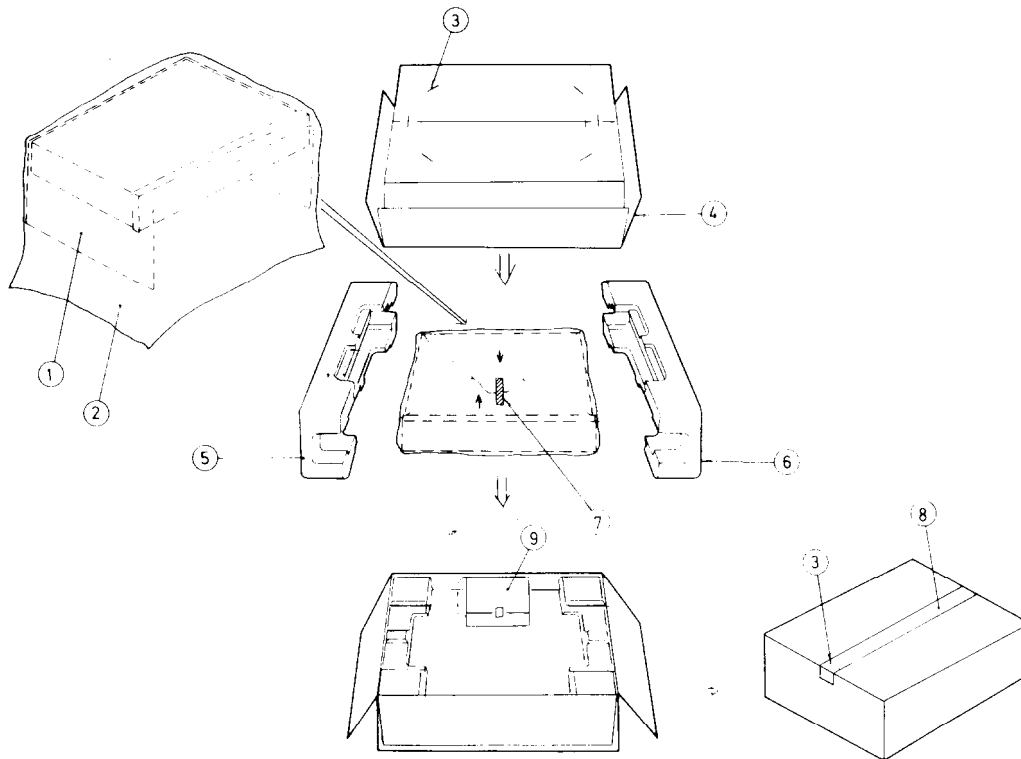
D

μPC1161C3(Stereo decoder)



E

PACKING VIEW



REF.NO.	PART NO.	DESCRIPTION	REF.NO.	PART NO.	DESCRIPTION
1	29095012-1	500 × 800mm, Protection sheet 		120V model	
2	29100034	650 × 850mm, Poly-vinyl bag		292064A	FM antenna
3	282301	Sealing hook		29340980	Instruction manual
4	29051276	Master carton box <S>		232085	NMA-3034, AM loop antenna
	29051277	Master carton box 		29100006A	250 × 350mm, Poly-vinyl bag
5	29090817A	Pad R		220V model	
6	29090816B	Pad L		292092	FM antenna
7	29110032	W=15mm, Adhesive tape		29340981	Instruction manual
8	260012	W=50mm, Damplon tape		232085	NMA-3034, AM loop antenna
9		Accessory bag ass'y		29100006A	250 × 350mm, Poly-vinyl bag
		U.S.A. model		Worldwide model	
	292064A	FM antenna		292064A	FM antenna
	29340980	Instruction manual		29340981	Instruction manual
	232085	NMA-3034, AM loop antenna		232085	NMA-3034, AM loop antenna
	29365006-7	Warranty card		29100006A	250 × 350mm, Poly-vinyl bag
	29368002C	Service station list		25055040	CV-K-2, Conversion plug
	29100006A	250 × 350mm, Poly-vinyl bag		240V model	
				292092	FM antenna
				29340981	Instruction manual
				232085	NMA-3034, AM loop antenna
				29100006A	250 × 350mm, Poly-vinyl bag
				25060088	Antenna adaptor FM

NOTE: : Only black model
<S>: Only silver model

ONKYO CORPORATION

International Division: No 24 Mori Bldg., 23-5, 3-chome, Nishi-Shinbashi, Minato-ku, Tokyo, Japan
Telex: 2423551 ONKYO J. Phone: 03-432-6981

ONKYO U.S.A. CORPORATION

200 Williams Drive, Ramsey, N.J. 07446 Tel. 201-825-7950